

产品概述

绝缘滑线 U12 是按当今国际安全要求设计，包裹导线的外护罩是优良的绝缘体。因此我们的单极绝缘导线保证操作中的最大安全。任意数量的导线可以在最小的空间要求下并排紧邻地安装在一起。

标准的滑线段 6m 长，也可订购短一些的滑线。

地线由国际代码颜色黄色识别。

出于安全原因考虑，相线和地线集电器不能互换。

通过以下认证：ISO9001、3C、CE。

支架

可订购带螺纹孔的支架和可快速安装的卡式支架。U12 标准支架间距为 600mm(直线)，圆弧段上为 300mm。

接头

快速安装的接头为导线提供了机械和电气的连续性。包括绝缘保护的塑料护套。膨胀节在单轨道的膨胀接头处使用。

供电接头

有供电接头和中间供电接头可供订购。另外道岔端帽和分段端帽处可安装供电夹。

道岔端帽

端帽用来保护滑线，使集电器顺畅地经过道岔，升降段等处。可以和供电夹配套订购，也可单独订购。

分段端帽组件

导线分段组件可用于对控制线路分段，设置维修区域等。它们可以和供电夹配套订购，也可单独订购。

圆弧

滑线 U12 可以弯水平或垂直圆弧。可以订购一种针对单人现场操作使用的弯圆弧工具。

集电器

电流集电器由强化塑料和不锈钢部件组成。受弹簧力作用的集电器与导线有良好的接触，集电器分单电刷集电器、双电刷集电器和工字钢加长杆集电器。

General

insulated conductors U12 are designed in accordance with today's international safety requirements.

The shroud which envelops the various conductors is an excellent insulator.

Therefore our unipole insulated conductors guarantee utmost safety in operation.

Any number of conductors can be installed side by side at minimum space requirement.

Standard rail sections are 6 m long, shorter sections are available.

The ground conductor is identified by international colour coding.

For obvious safety reasons phase and ground collectors are not interchangeable.

Approved and listed by: CCC, CE and ISO9001.

Hangers

Bolted, snap-in and quarter turn type hangers are available. Standard support distance for U 12 is 600 mm, in curves 300 mm.

Joints

Snap-in joint splices provide mechanical end electrical continuity. They include insulated protection covers. Expansion joint sections are only required in case of expansion joints in the monorail track.

Feed terminals

Joint assembly and mid-rail assembly feeds are available. Furthermore transfer guides and isolating assemblies allow for spade connectors.

Transfer guides

Transfer guides serve as an end protection of system runs and accomplish smooth collector transfer in case of switches, drop sections etc. They can be supplied with or without feed clip.

Isolating assemblies

Conductor isolating assemblies are available for sectionalizing control circuits, maintenance bays etc. They can be supplied with or without feed clip.

Curves

U12 can be used for horizontal or vertical curves. A special curve tool for individual field preparation is available.

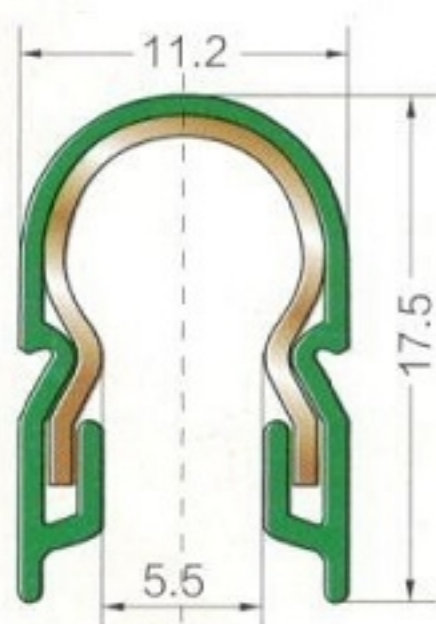
Collectors

The current collectors are made of reinforced polyamide and stainless steel parts. These spring loaded units provide positive contact with the conductor bars and have double pick-up brushes.

U12滑线/U12 Conductor

外护罩的技术数据 Engineering data of shroud

	标准外护罩绿色 standard shroud color green	高温外护罩 high temp.shroud
电气参数/Electrical properties	30-40kv/mm	45kv/mm
精确电阻值/Specific resistance	5×10^{15} Ohm x cm	5×10^{17} Ohm x cm
表面电阻值/Surface resistance	10^{13} Ohm	10^{15} Ohm
爬电电阻值/Leakage resistance	CTI600-1.1	CTI600-1.1
机械参数/Mechanical properties: 弯曲强度/Flexible strength:	75N/mm ² ± 10%	95N/mm ² ± 10%
拉力强度/Tensile strength	50N/mm ² ± 10%	50N/mm ² ± 10%
工作温度/Working Temperature	-30℃至+55℃	-30℃至+110℃
火焰测试防护/Flame test proof	B1级,无火焰微粒,自熄/Class B1,no flaming particles,self-extinguishing	
抗腐蚀性/Resistance to chemicals:	汽油,矿物油,油脂 gasoline,mineral oil,grease	强盐酸,腐蚀性的苏打溶液 25%和50%,硫酸至50% Hydrochloric acid.concentr. caustic soda solution 25% and 50%, sulphuric acid to 50%



滑线编码/Conductor Code

U = 单极绝缘滑线代号/unipole insulated conductor

12 = 外护罩尺寸/shroud size

25 = 导线横截面积/conductor cross sectional area(mm²)

最小安装间距/Conductor spacing

在组合型支架上为14mm或其他宽度
on compact hangers 14mm or variable.

弧线段/Curves

最小半径400mm. min.R=0.4m

长度/Length

标准长度为6m,也可提供较短的长度

6m is standard length,shorter lengths are available.

支架间距/Support spacing

直线段0.6m,弧线段0.3m.

for straight runs 0.6m,for curves 0.3m

应用/Application

仅限室内见外护罩参数

indoor use only. See "Engineering date of shroud"

型号/Type	U12/25
重量/Weight(kg/m)	0.267
标准外护罩,绿色/Standard shroud,color green	
产品编码,相线*Cat.-No.phase	668116*
产品编码,地线*Cat.-No.ground	668216*

高温外护罩/High temperature shroud	
产品编码,相线*Cat.-No.phase	668316*
产品编码,地线*Cat.-No.ground	668416*

* 根据长度需要在末尾填上(1,2,3,4,5,6m作为后缀).

Fill-in last number(1,2,3,4,5,6 m suffix)in accordance to bars required.

工程技术参数/Engineering data

滑线型号 Conductor rail Type	横截面积mm ² Cross sectional area	外壳漏电距离 mm Leakage distanc of covers	最大电压 V Max.voltage	连续电流 A Continuous ampere capacity	电阻Ohm/km Resistance
U12/25C**	25	30	660	100	0.745
U12/25F**	25	30	660	40	5.415
U12/25E**	25	30	660	10	31.56

** C=铜导线 copper conductor F=电镀钢导线 galvanized steel E=不锈钢导线 stainless stell conductor

目前,主要生产和销售U12/25C(即U12/25),U12/25F和U12/25E两种滑线需要提前30个工作日订购。

滑线的选择/Selection of Conductors

选择依据: 根据电流负载和环境条件

in accordance to ampere load environmetal conditions

U12/25C 铜导线用于供电,控制和数据传输

for power-,control-and data-transmission.

U12/25F 电镀钢导线用于无腐蚀的环境

for non-corrosive environment.

U12/25E 不锈钢导线用于腐蚀环境下数据传输

for control and data-transmission in corrosive atmospheres

组合型双头集电器/Compact double collector JDS2/40

(双向运行 two-way converging)

用于间距为14mm的滑线 for conductor spacing of 14 mm

电流/Ampacity: 1个供电端20A 1 Plug terminal 20 A

2个供电端 2 × 20A 2 Plug terminal 2 × 20 A

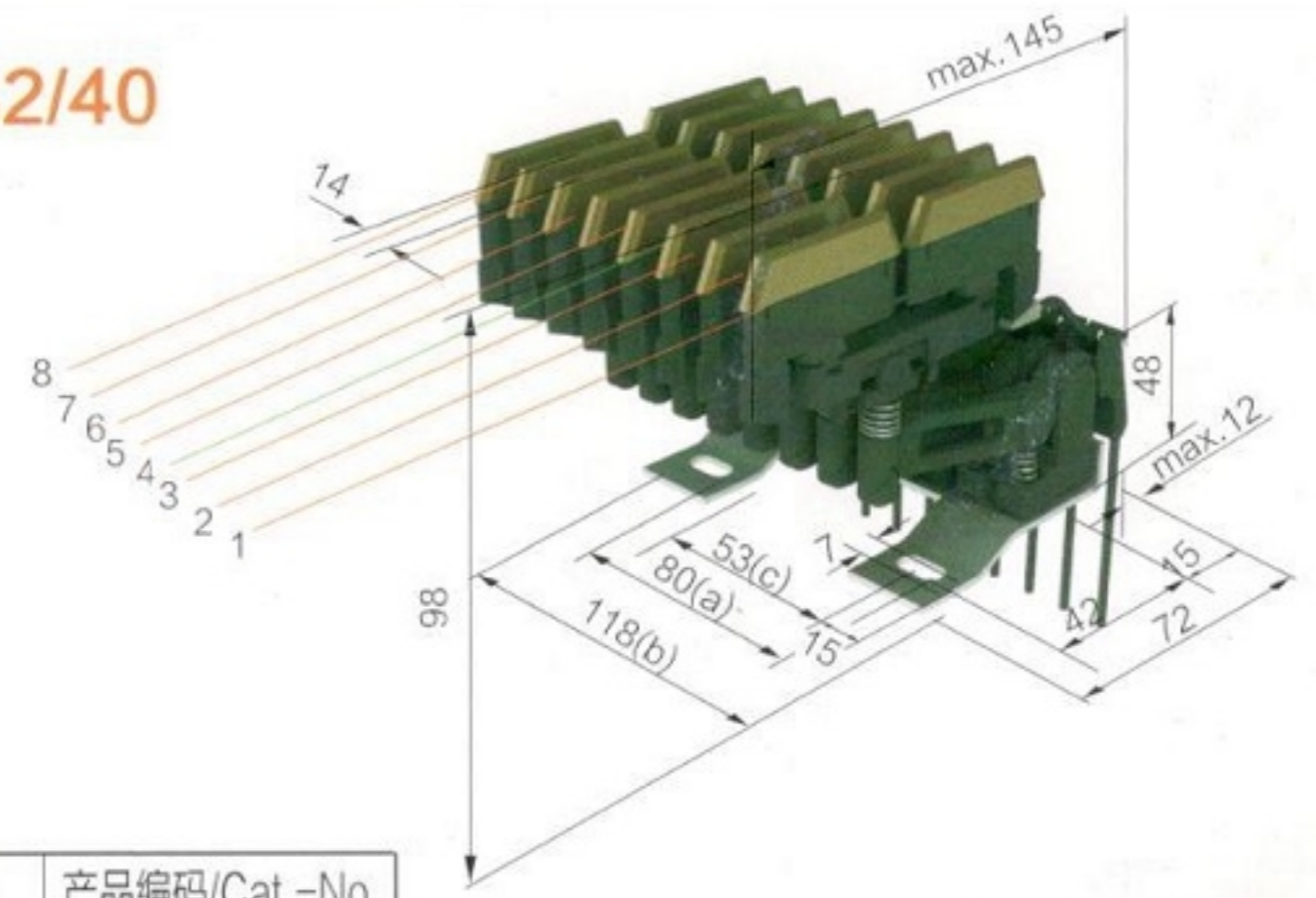
左右偏移/swivel: ± 15mm 上下位移/lift: ± 15mm

每个电刷的接触压力为3.5N contact pressure 3.5 N per brush

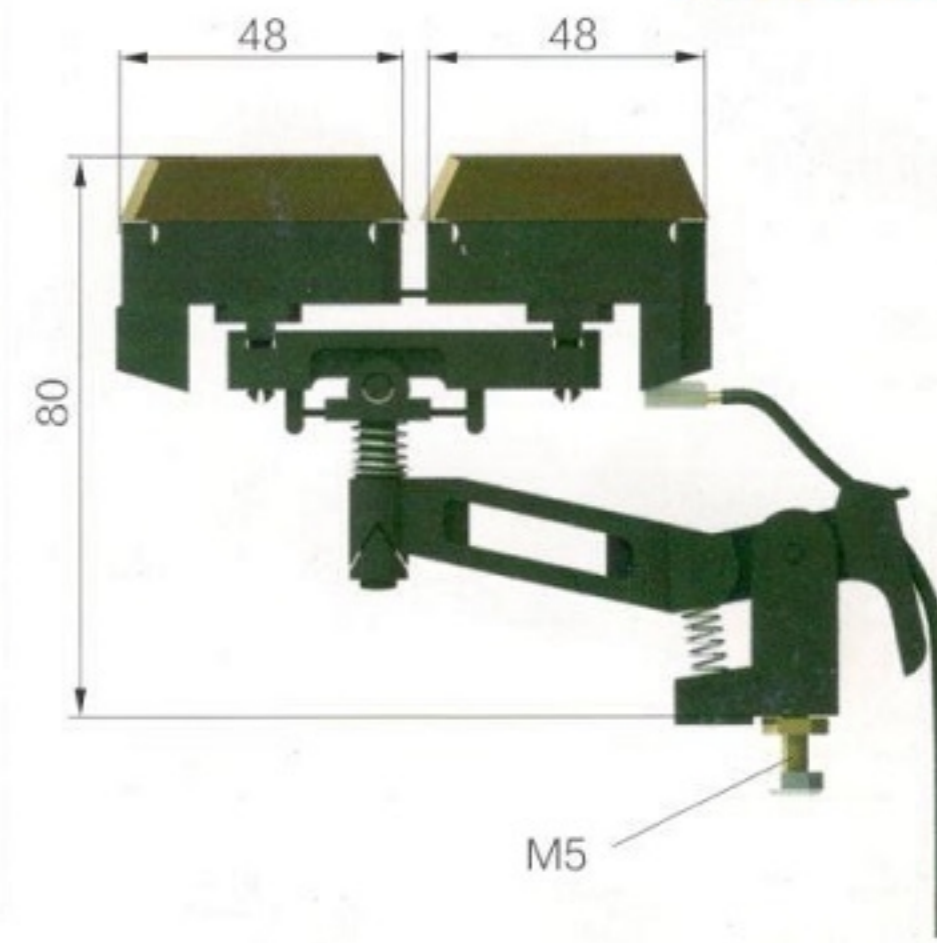
地线一般接在第4极,也可以按要求在其他位置.

ground at NO.4, other position on request.

型号/Type	电极/poles	尺寸a	尺寸b	尺寸c	重量/weight(kg)	底座base plate	产品编码/Cat.-No.
JDS2/40	-	-	-	-	0.080	-	663200
JDS2/40-1	1	80	118	-	0.165	8P(2号至8号为空)	663201
JDS2/40-2	2	80	118	-	0.245	8P(3号至8号为空)	663202
JDS2/40-3	3	80	118	-	0.325	8P(4号至8号为空)	663203
JDS2/40-4	4	80	118	-	0.405	8P(5号至8号为空)	663204
JDS2/40-5	5	80	118	-	0.495	8P(6号至8号为空)	663205
JDS2/40-6	6	80	118	-	0.575	8P(7号至8号为空)	663206
JDS2/40-7	7	80	118	53	0.735	8P(8号位置为空)	663207
JDS2/40-8	8	80	118	53	0.825	8P	663208
JDS2/40-9	9	80	146	53	0.925	10P(10号位置为空)	663209
JDS2/40-10	10	80	146	53	1.005	10P	663210
JDS2/40-11	11	120	174	80	1.125	11P	663211
JDS2/40-12	12	120	174	80	1.205	12P	663212



JDS2/40



U12

组合型双头集电器/Compact double collector JDA2/40

(双向运行 two-way converging)碳刷外壳与碳刷为一体注塑而成。

用于间距为14mm的滑线 for conductor spacing of 14 mm

电流/Ampacity: 20A为单根2.5mm²引线 20A with 2.5mm² × 1 Cable

40A为单根4.0mm²引线 40A with 4.0mm² × 1 Cable

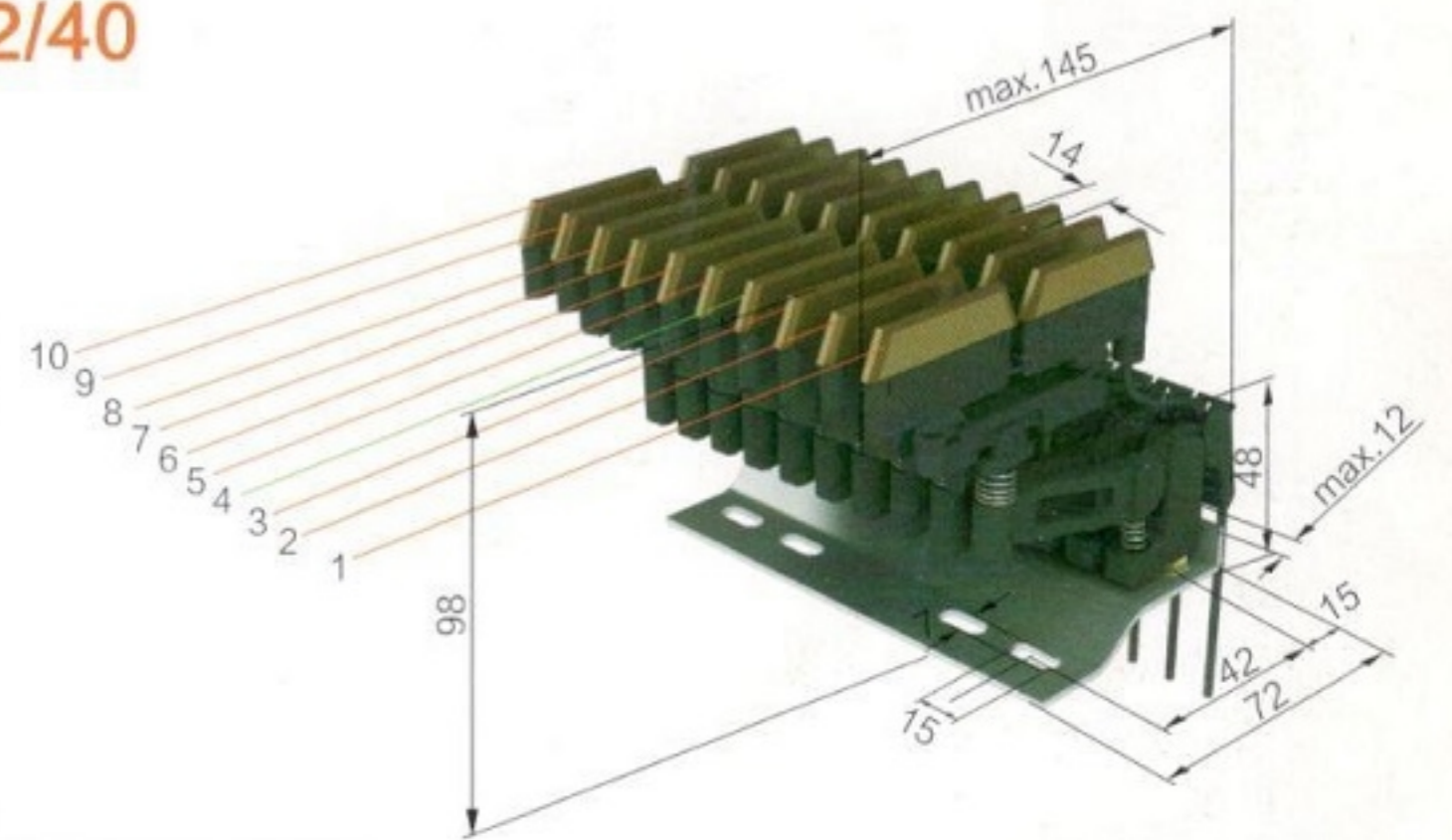
左右偏移/swivel: ± 15mm 上下位移/lift: ± 15mm

每个电刷的接触压力为3.5N contact pressure 3.5 N per brush

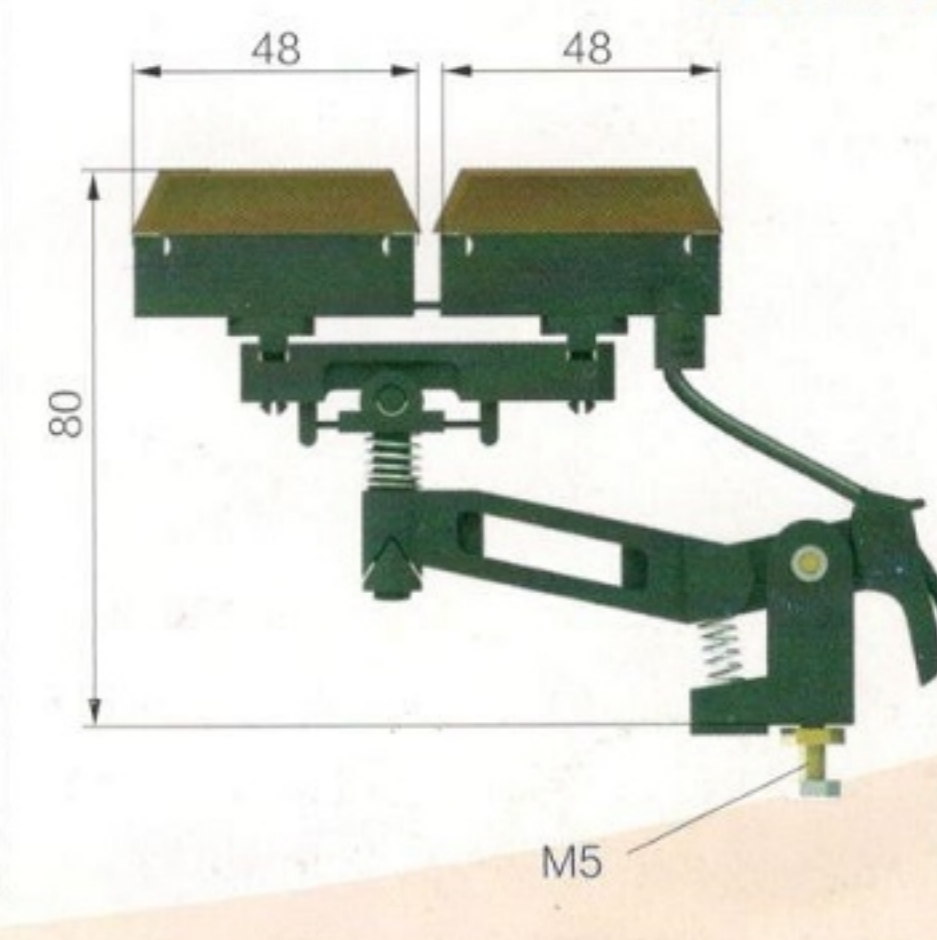
地线一般接在第4极,也可以按要求在其他位置.

ground at NO.4, other position on request.

型号/Type	电极/poles	尺寸a	尺寸b	尺寸c	重量/weight(kg)	底座base plate	产品编码/Cat.-No.
JDA2/40	-	-	-	-	0.080	-	663250
JDA2/40-1	1	80	118	-	0.165	8P(2号至8号为空)	663251
JDA2/40-2	2	80	118	-	0.245	8P(3号至8号为空)	663252
JDA2/40-3	3	80	118	-	0.325	8P(4号至8号为空)	663253
JDA2/40-4	4	80	118	-	0.405	8P(5号至8号为空)	663254
JDA2/40-5	5	80	118	-	0.495	8P(6号至8号为空)	663255
JDA2/40-6	6	80	118	-	0.575	8P(7号至8号为空)	663256
JDA2/40-7	7	80	118	53	0.735	8P(8号位置为空)	663257
JDA2/40-8	8	80	118	53	0.825	8P	663258
JDA2/40-9	9	80	146	53	0.925	10P(10号位置为空)	663259
JDA2/40-10	10	80	146	53	1.005	10P	663260
JDA2/40-11	11	120	174	80	1.125	11P	663261
JDA2/40-12	12	120	174	80	1.205	12P	663262

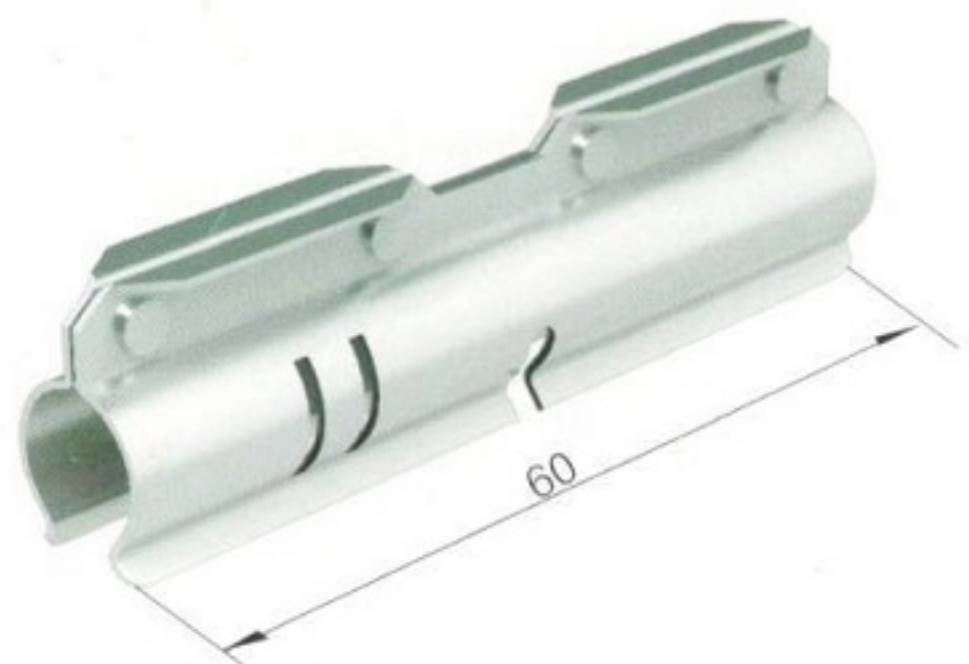


JDA2/40

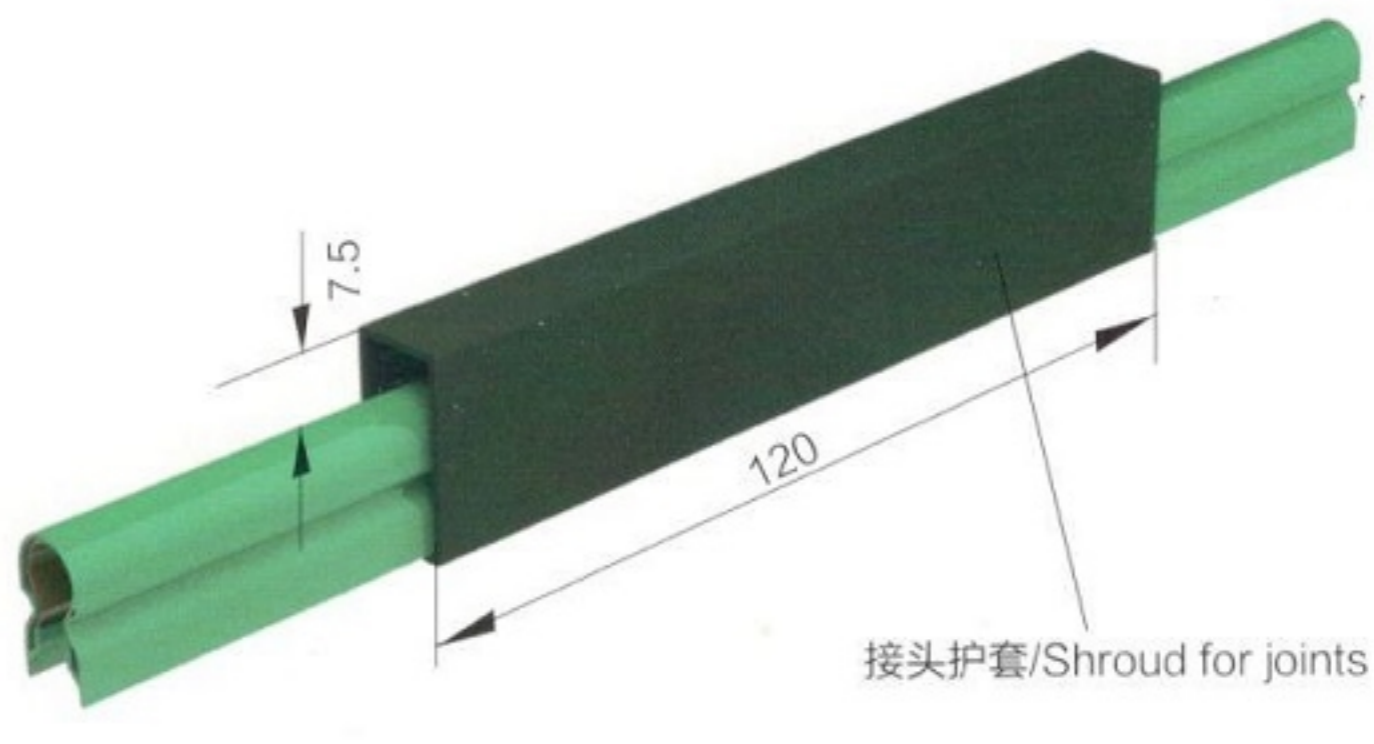


接头/Joints

用于连接两段滑线,也能补偿导线的热胀冷缩
system control expansion and contraction



接头护套/Shroud for joints

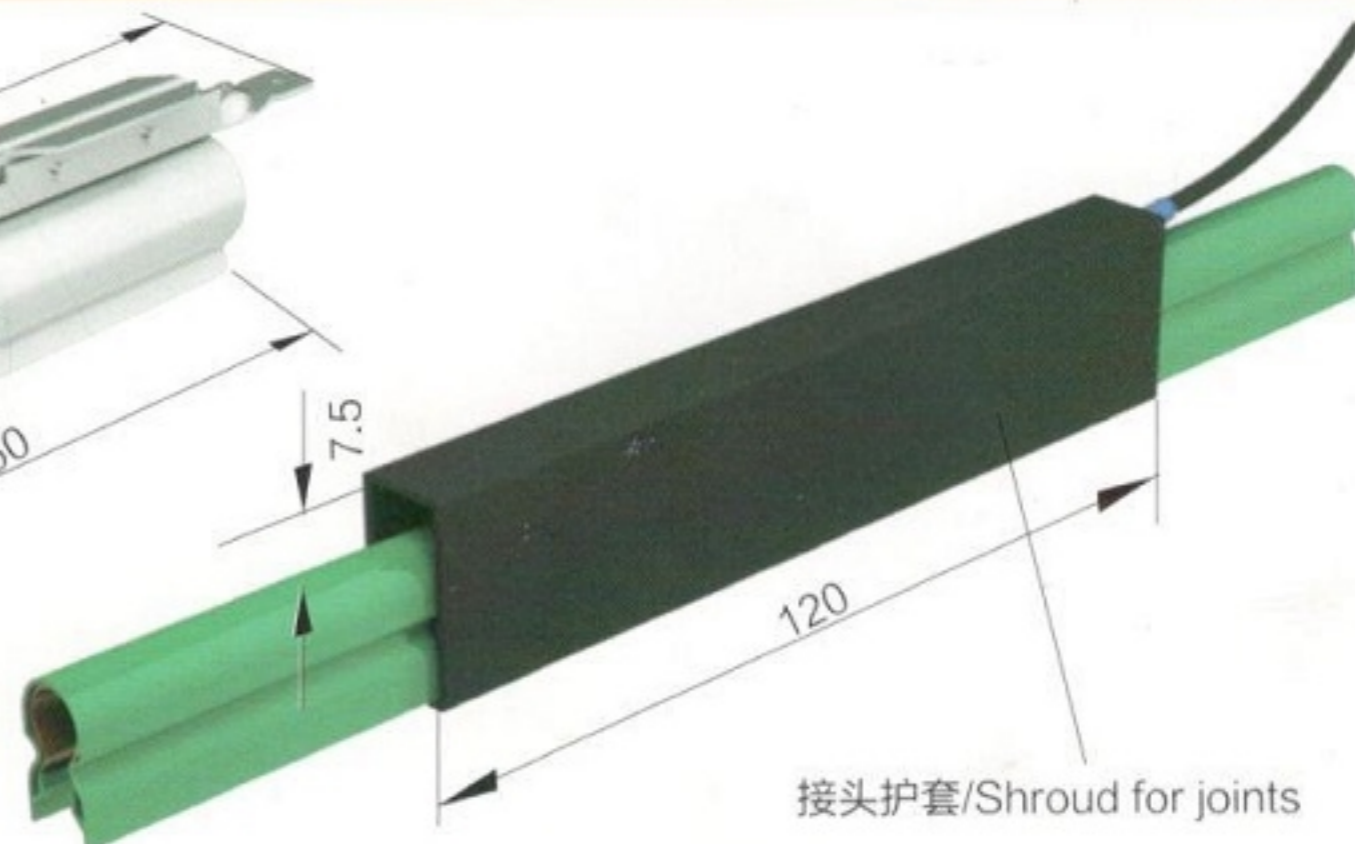
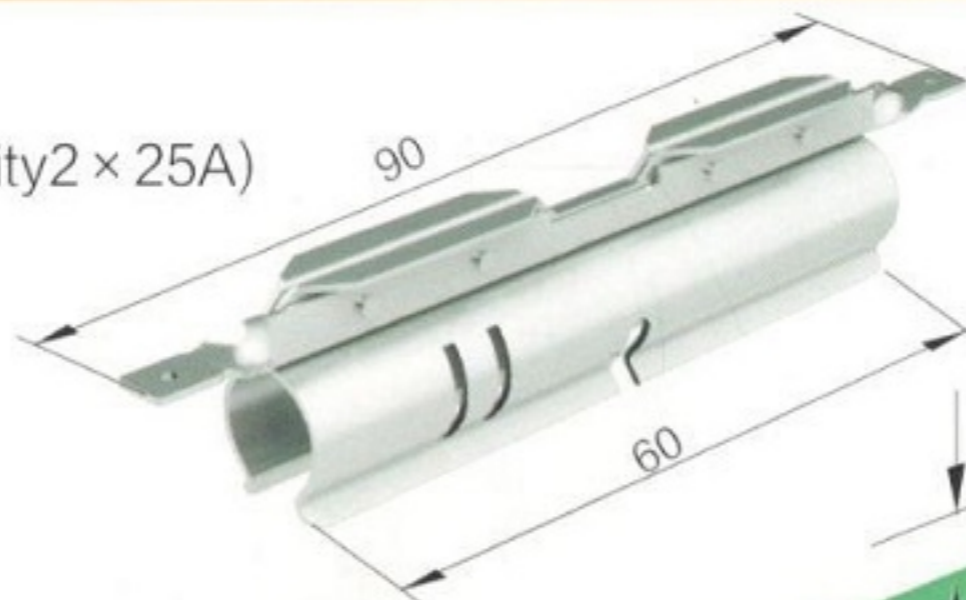


型号/Type	重量/weight(kg)	材质/Material	产品编码/Cat.-No.
UV12	0.021	铜/Copper	663460

型号/Type	重量/weight(kg)	材质/Material	产品编码/Cat.-No.
U12HT	0.012	工程塑料/Plastic	666812

供电接头/Feed terminal

(连续的电流量/continuous ampere capacity $2 \times 25A$)



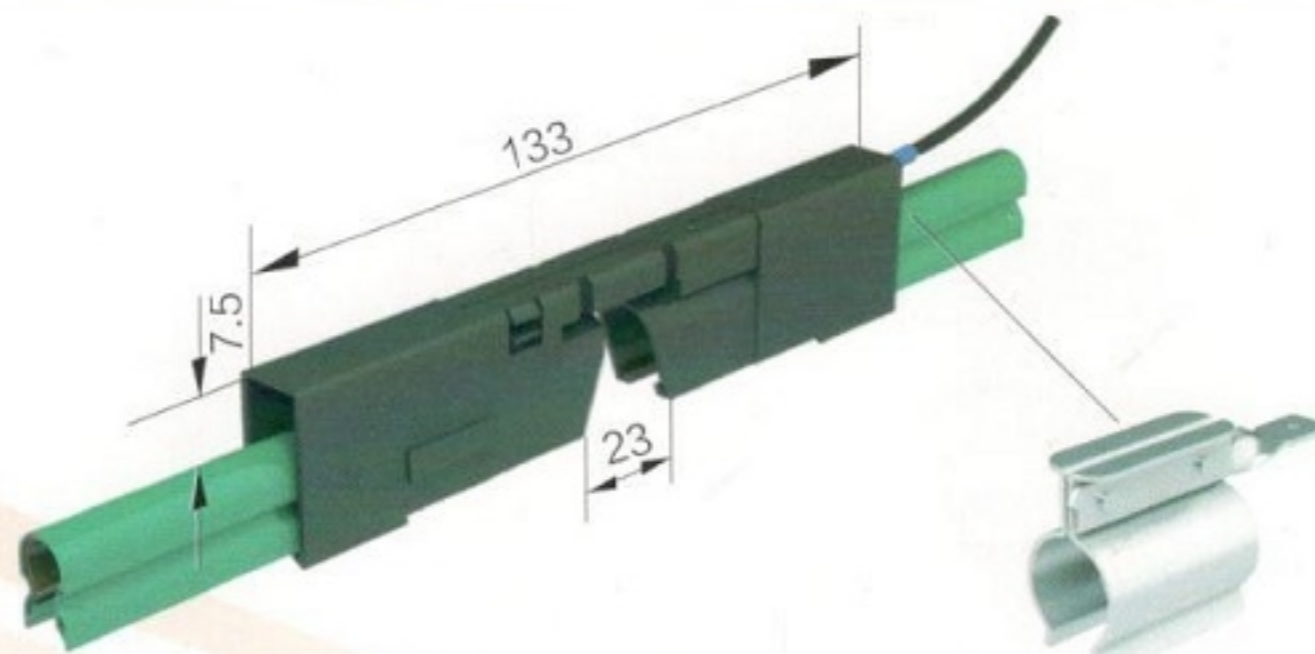
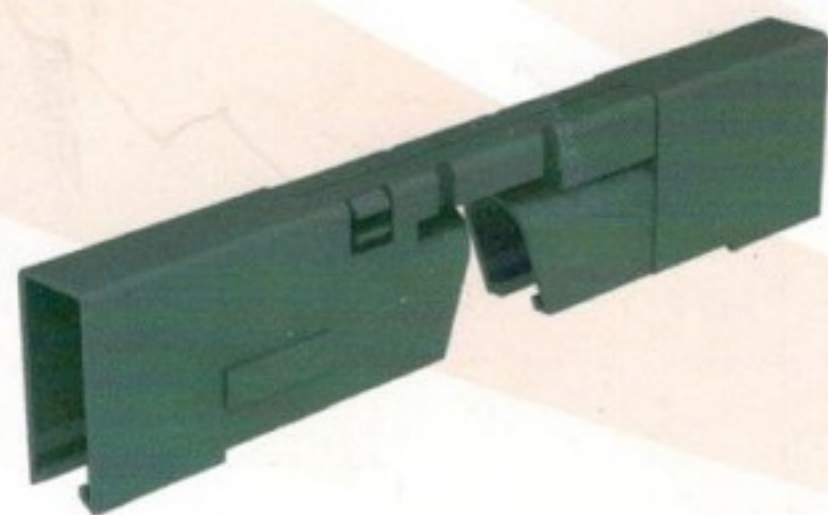
型号/Type	重量/weight(kg)	材质/Material	产品编码/Cat.-No.
UE12	0.023	铜/Copper	663660

供电夹/Feed clip

型号/Type	重量/weight(kg)	材质/Material	产品编码/Cat.-No.
U12DJ	0.005	铜/Copper	666912



分段端帽组件/Isolating assembly

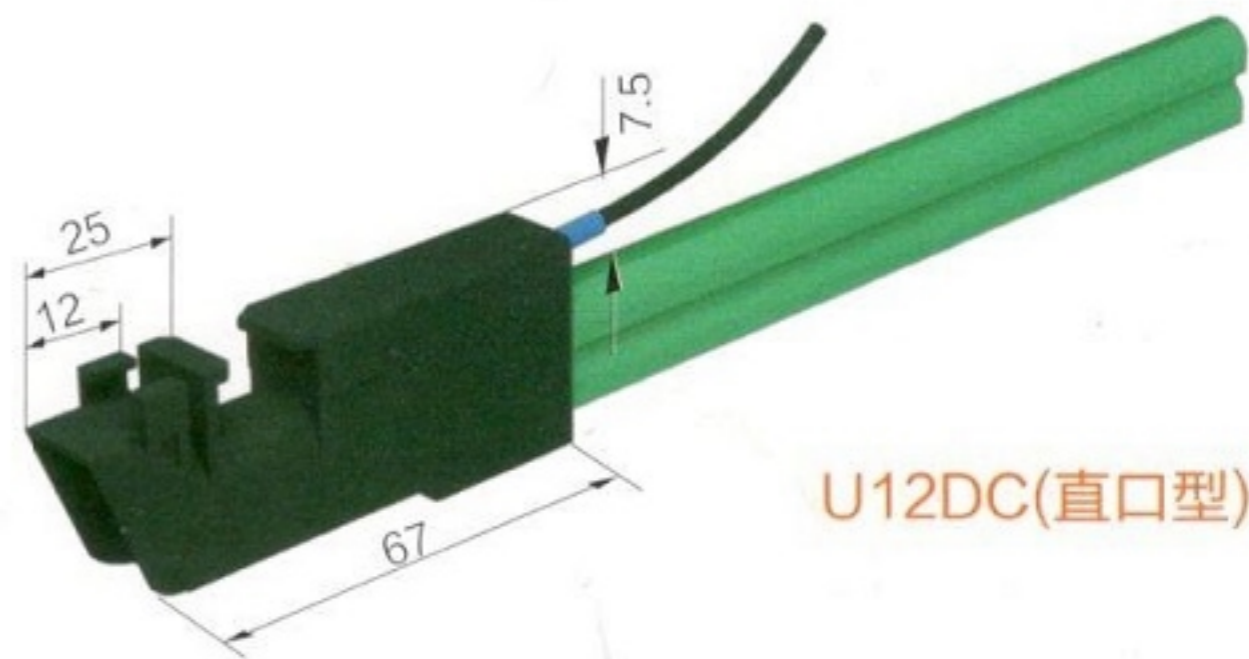
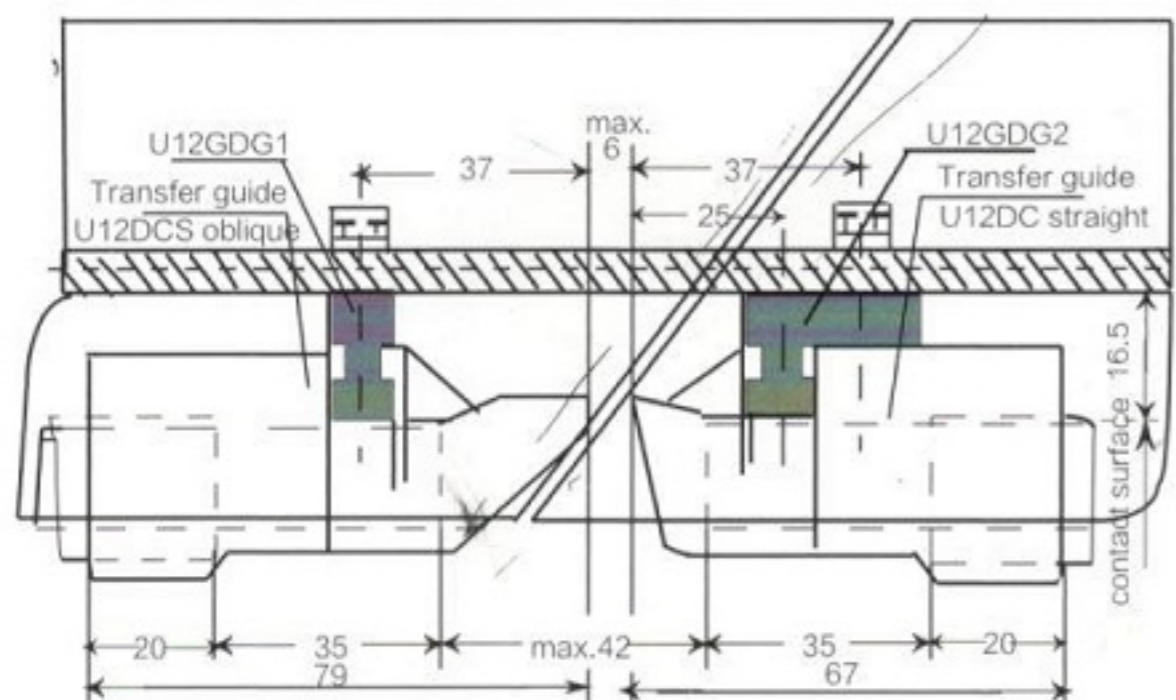


型号/Type	符号/symbol	重量/weight(kg)	组成/Comprising	材质/Material	产品编码/Cat.-No.
U12FD	— —	0.016	2个分段端帽	工程塑料/Plastic	663723
U12FD1	— —↓	0.021	2个分段端帽+1个供电夹	工程塑料/Plastic & 铜/Copper	663724
U12FD2	↓ —↓	0.026	2个分段端帽+2个供电夹	工程塑料/Plastic & 铜/Copper	663725

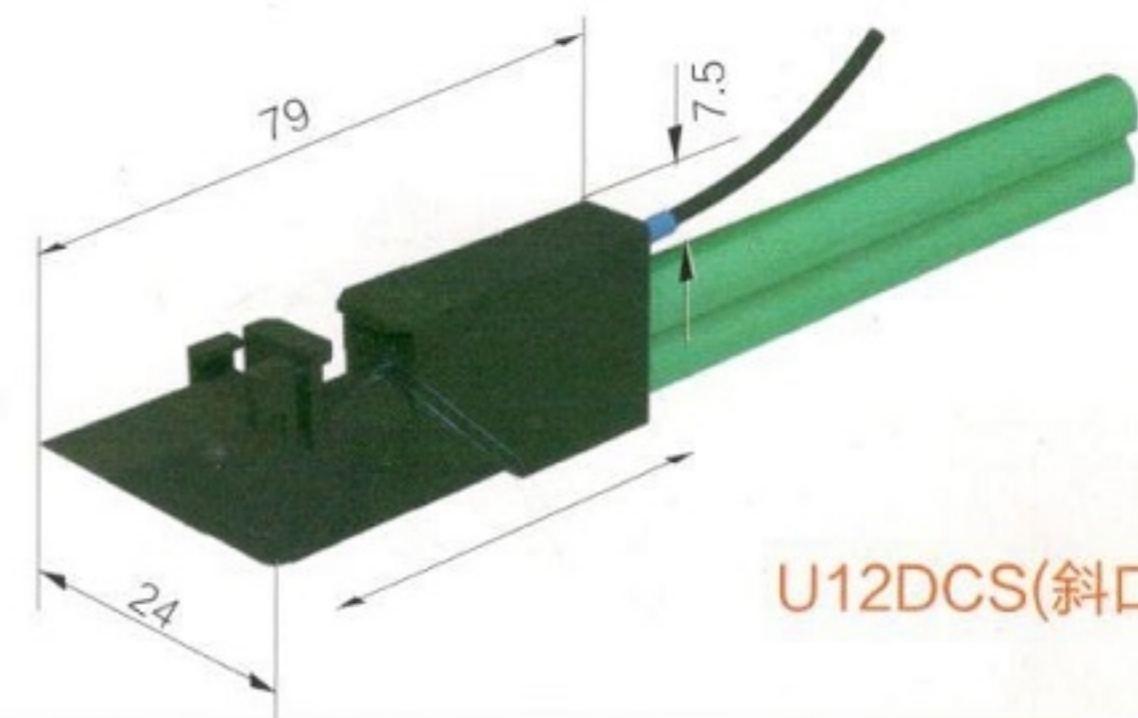
通过按压分段端帽上的导向按钮部分可以将两个端帽紧密的连接成一体。
The two transfer button elements are pressed together to form a rigid, well aligned unit.

道岔端帽/Transfer guide & end piece

可同时订购供电夹(也能用作端帽;在道岔处与固定杆连接时,视为固定点)



U12DC(直口型)



U12DCS(斜口型)

型号/Type	重量/weight(kg)	组成/Comprising	材质/Material	产品编码/Cat.-No.
U12DC	0.006	直口型道岔端帽	工程塑料/Plastic	663867
U12DC1	0.011	直口型道岔端帽+1个供电夹	工程塑料/Plastic & 铜/Cooper	663868
U12DCS	0.004	斜口型道岔端帽	工程塑料/Plastic	663869
U12DCS1	0.012	斜口型道岔端帽+1个供电夹	工程塑料/Plastic & 铜/Cooper	663870
供电夹U12DJ	0.005		铜/Cooper	666912

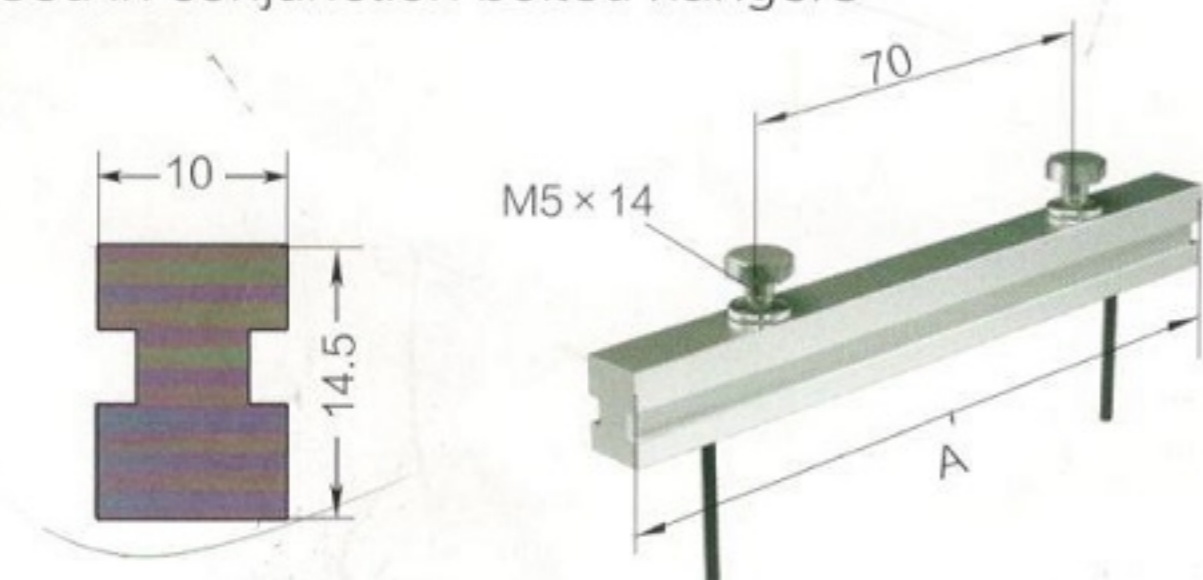
安装道岔端帽的固定杆(铝)/Anchor bar for transfer guide(Aluminium)

可拧入螺钉连接到轨道上,包括1根铝杆,2个六角形螺钉M5带垫圈,2个保险销2×20。

for bolting to the track, consisting of 1 aluminium profile bar, 2 hex. screws M 5w/washer, 2 locking pins 2 × 20.

U12GDD1

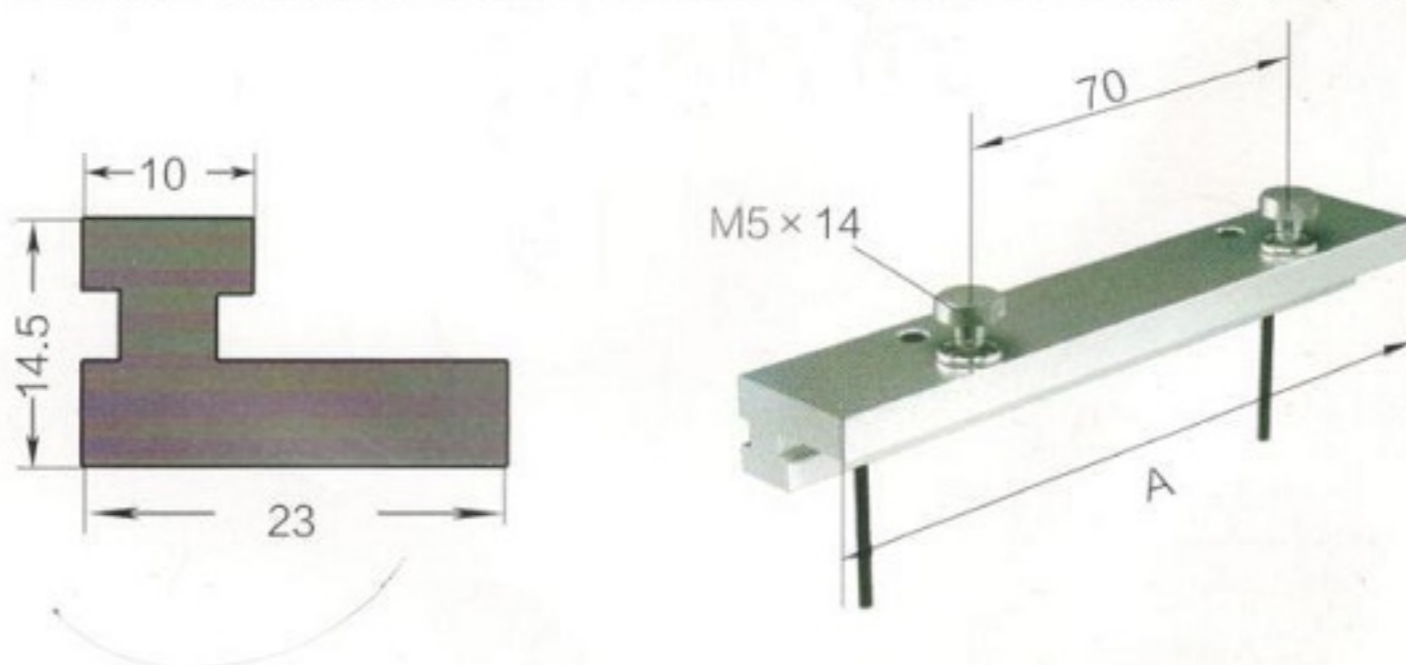
用于在轨道的直切口处与带螺纹孔的支架连接
used in conjunction bolted hangers



(导线表面和轨道距离为 16.5m/16.5mm)
Distance between conductor-surface and track

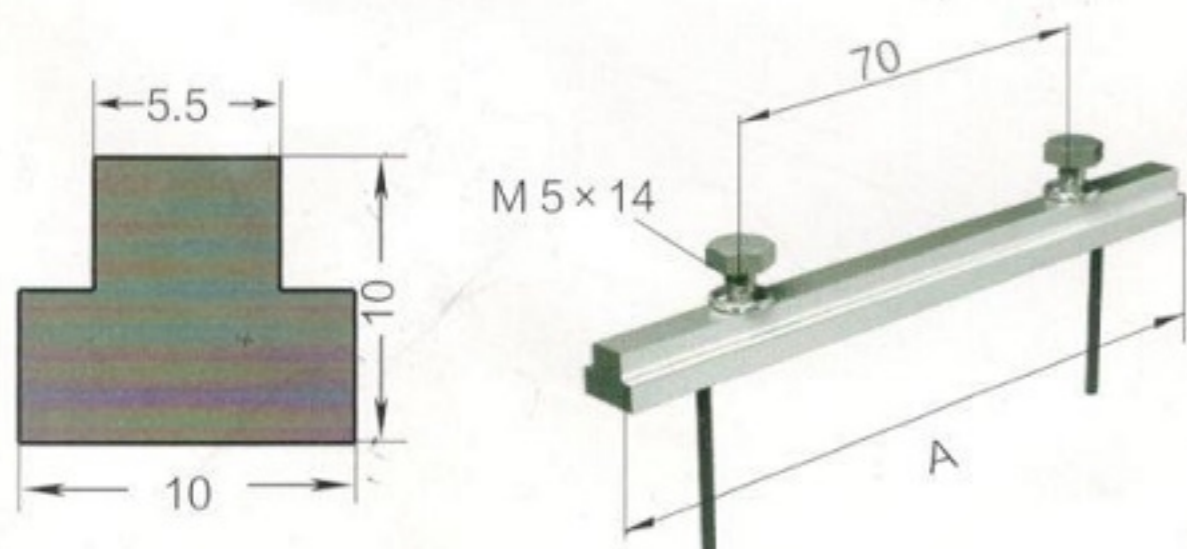
U12GDD2

用于在轨道的斜切口处与带螺纹孔的支架连接
used in conjunction with bolted hangers for oblique cut tracks



U12GDD3

用于和快速安装的直角型(旋转型)嵌入式)支架连接
used in conjunction with snap-in and quarter turn hangers



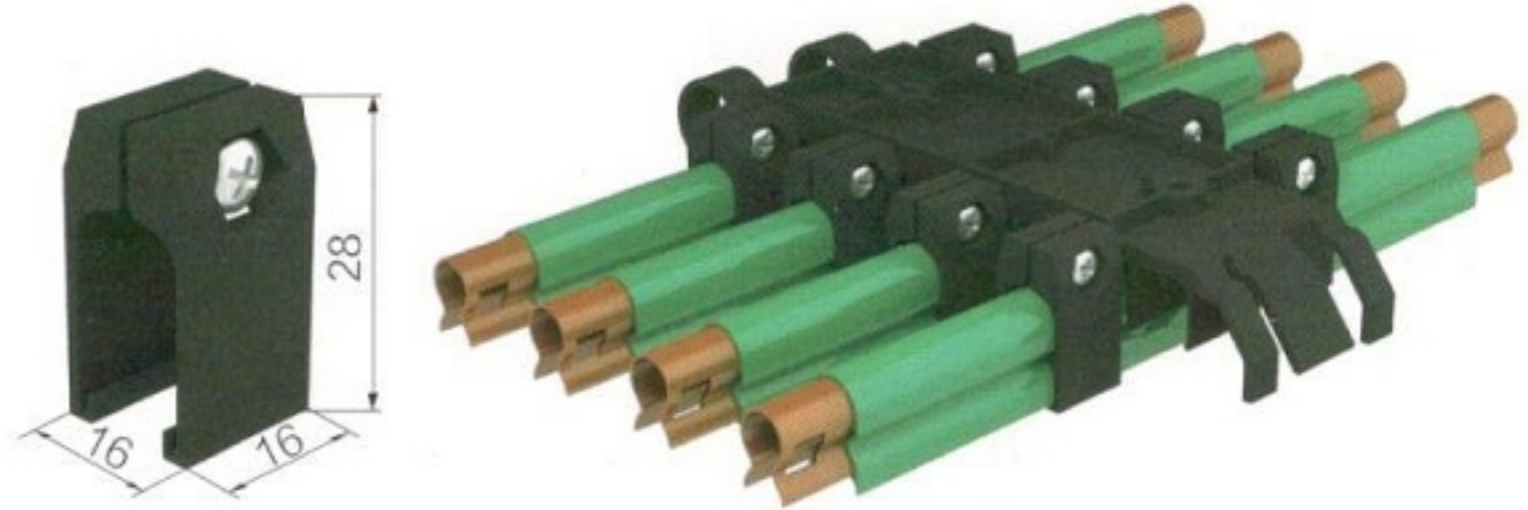
(导线表面和轨道距离为 10m/10mm)
Distance between conductor-surface and track

型号/Type	极数/poles	A/mm	重量/weight(kg)	产品编码/Cat.-No.
U12GD1-8	1-8	118	0.042	663908
U12GD1-10	1-10	143	0.052	663910
U12GD2-8	1-8	118	0.087	663918
U12GD2-10	1-10	143	0.102	663920
U12GD3-8	1-8	118	0.024	663928
U12GD3-10	1-10	143	0.029	663930

固定夹/Locating clamp

滑线上的每一个固定点使用两个定位夹和一个支架
for each anchor point use one bolted hanger with 2 locating clamps per conductor rail.

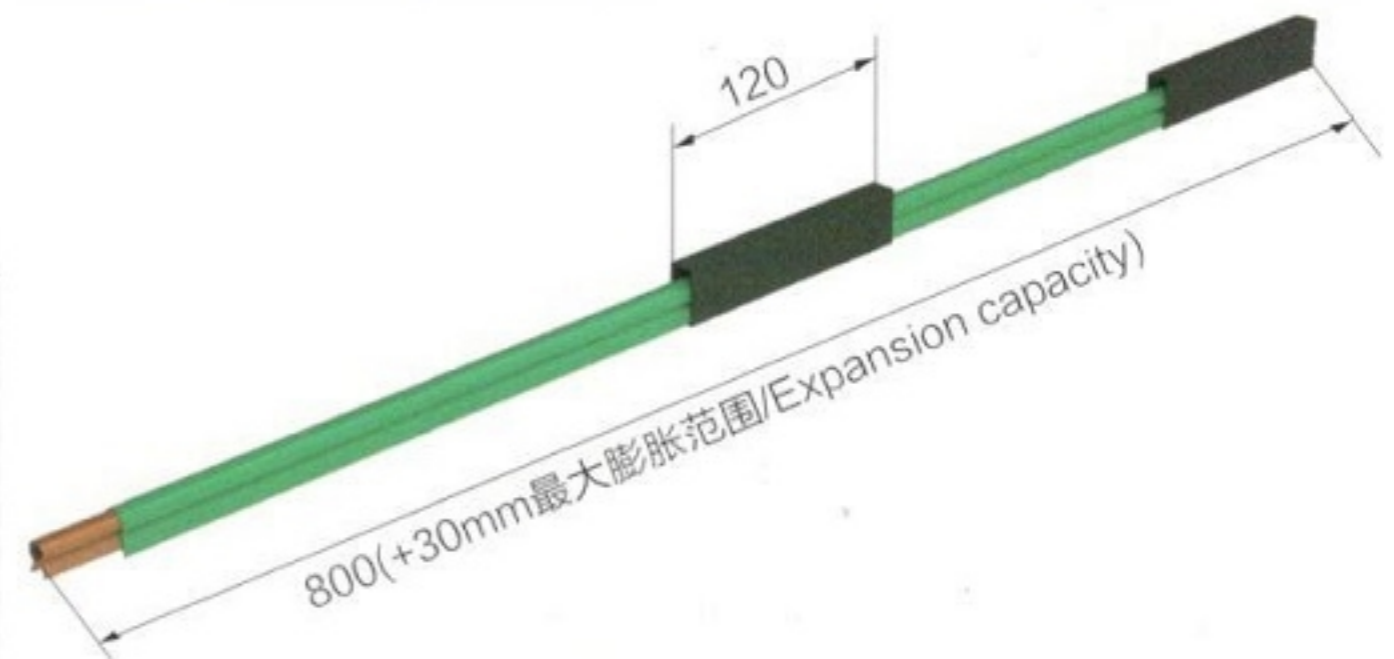
型号/Type	重量/weight(kg)	材质/Material	产品编码/Cat.-No.
U12GDJ	0.005	工程塑料/Plastic	664101



膨胀节/Expansion section

0.8m的膨胀组件是系统长度的一部分。
The 0.8 m expansion assembly is part of the system length.

型号/Type	重量/kg weight/kg	产品编码/Cat.-No.			
		绿色标准外护罩 Standard, green		高温外护罩 High temp., gray	
U12PZJ	0.256	相线phase 663530	零线ground 663531	相线phase 663532	零线ground 663533



连接插件/Joints for Connecting cable

用于集电器、供电接头、道岔端帽和分段端帽的接线。
for collectors, feed terminals, transfer guides and isolating assemblies.

0.5m 长的集电器电缆带快速连接线接头 6.3×0.8 (QX2.5 或 QX4.0), 也可订购更长的电缆连接电缆建议使用高柔性软电缆

0.5 m long with quick plug 6.3×0.8 (female spade connector QX2.5 or QX4.0) for collector Long cable available.

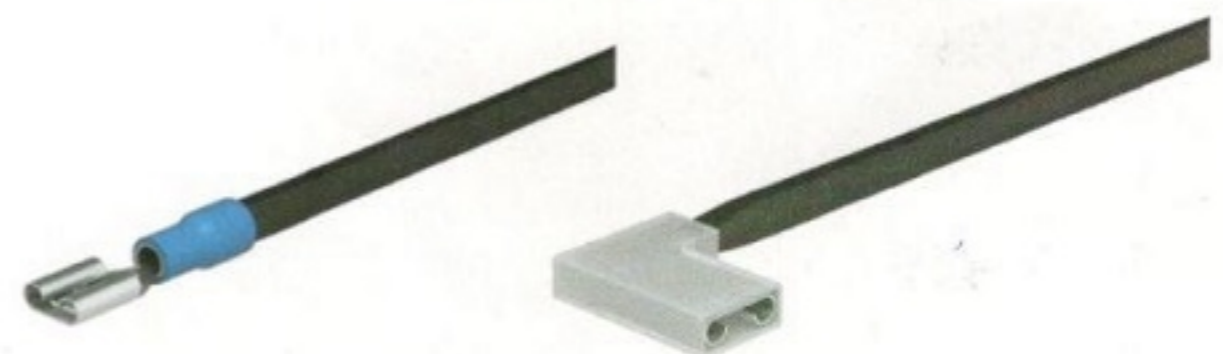
型号/Type	电缆/for cable Φ	产品编码/Cat.-No.
ZH2.5	2.5	667012
ZH4.0	4.0	667013
QX2.5	2.5	667014
QX4.0	4.0	667015
RDL-2.5	2.5	667025
RDL-4.0	4.0	667140

直插件ZH

旗形插件QX

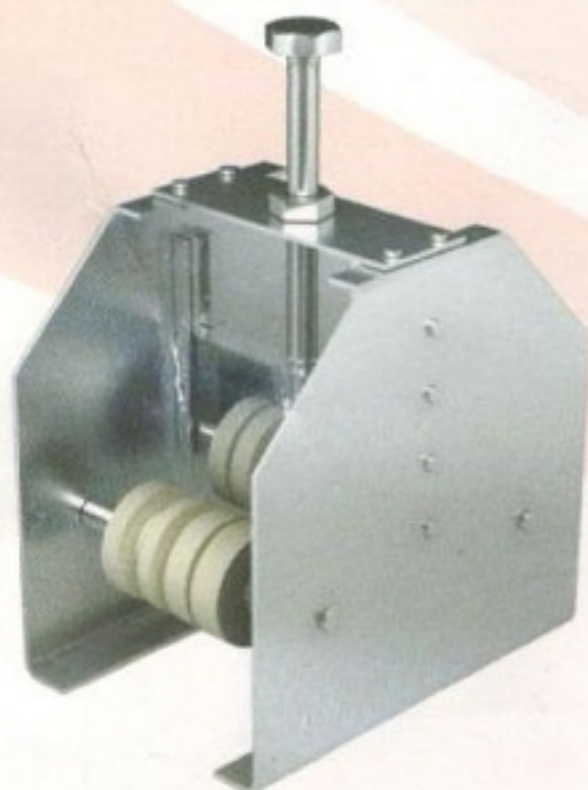


柔性电缆RDL



安装工具/Installation Tools

弯弧机/Curve tool



打孔钳/Conductor punch tool



型号/Type	重量/weight(kg)	产品编码/Cat.-No.
U12WH	7.8	669001

型号/Type	重量/weight(kg)	产品编码/Cat.-No.
U12DKQ	1.76	669005